

AssetTrac™

Installation Guide



Kit Includes:

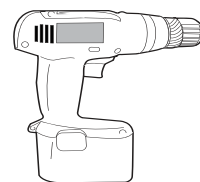
AssetTrac™
Device



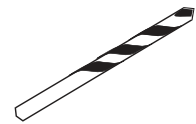
Two (2)
Fir Tree Zip Ties



Tool List:



Cordless Drill
(Optional)

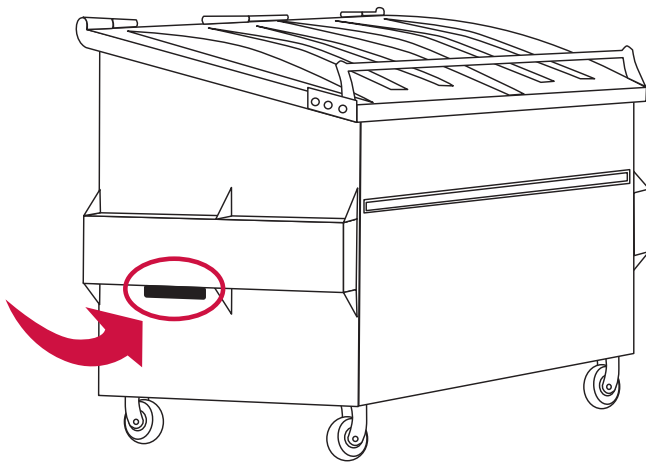


5/16" Drill Bit
(Optional)



Isopropyl
Alcohol

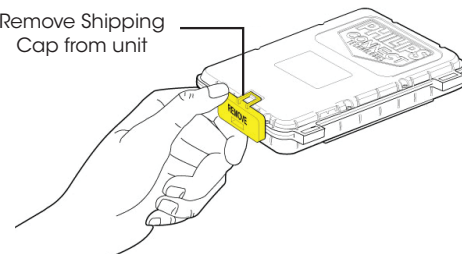
The AssetTrac™ device can be installed anywhere on any type of powered or non-powered asset as long as nothing is obstructing its view of the ground or sky.



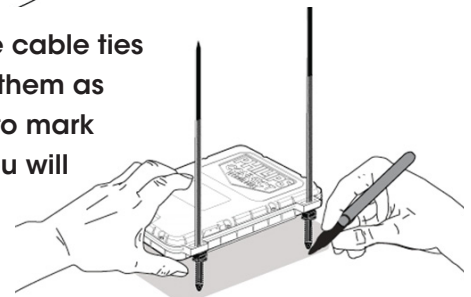
Mounting and Connecting the AssetTrac

1. Before installing the AssetTrac, remove the Ship Mode Plug from the device.

Remove Shipping
Cap from unit



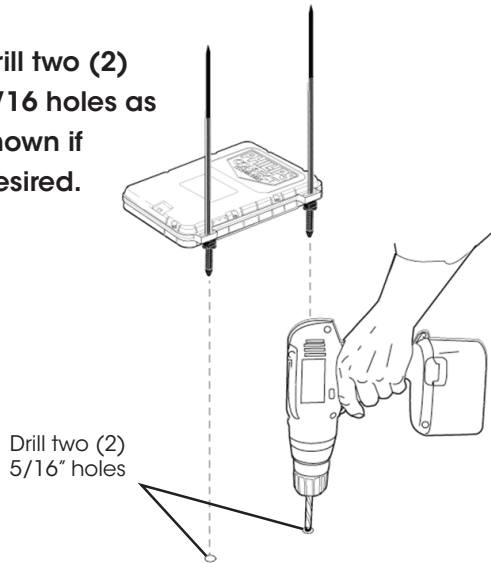
2. Insert the cable ties and use them as a guide to mark where you will need to drill your holes.



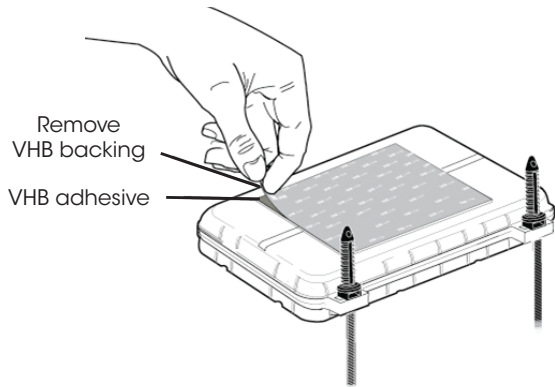
AssetTrac™

Installation Guide

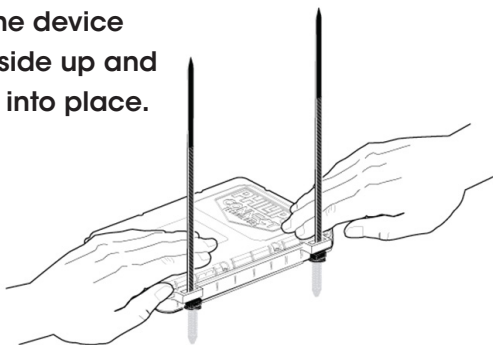
3. Drill two (2) 5/16 holes as shown if desired.



4. Flip the device upside down to remove the VHB back adhesive.



5. Flip the device right side up and press into place.



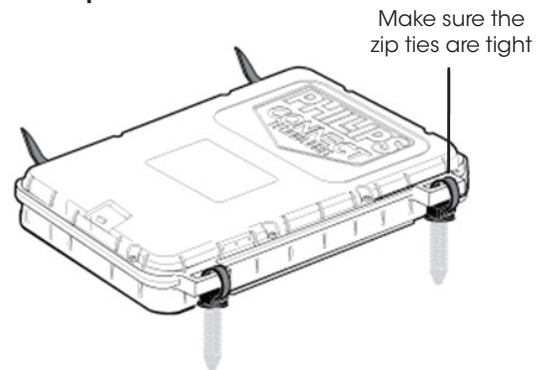
Push Fir Tree zip ties securely into drill holes and ensure VHB tape adhesive adherence

6. Loop the cable tie into the slot on the Fir tie and pull tight to secure.



Thread the strap of the Fir Tree zip ties into square holes in the lower part of zip tie on both sides

7. Completed install.



If tethering AssetTrac™, follow additional instructions below and note the wiring diagram.



Wiring Diagram:

Red = Power (connect to red stud)

Black = Ground (connect to black stud)

If desired, add a 2 AMP fuse.
Not required.